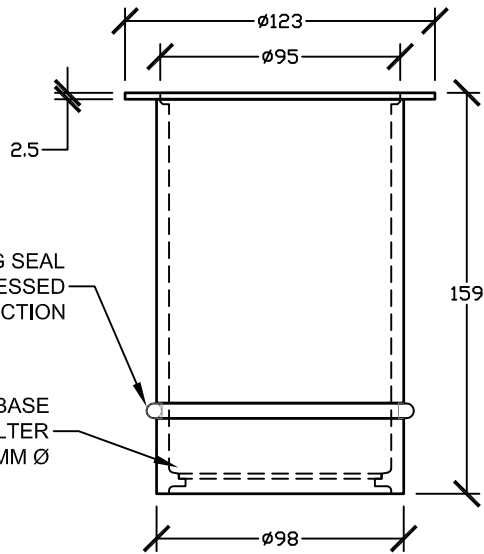
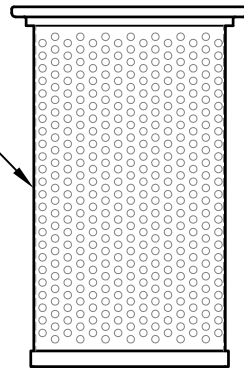


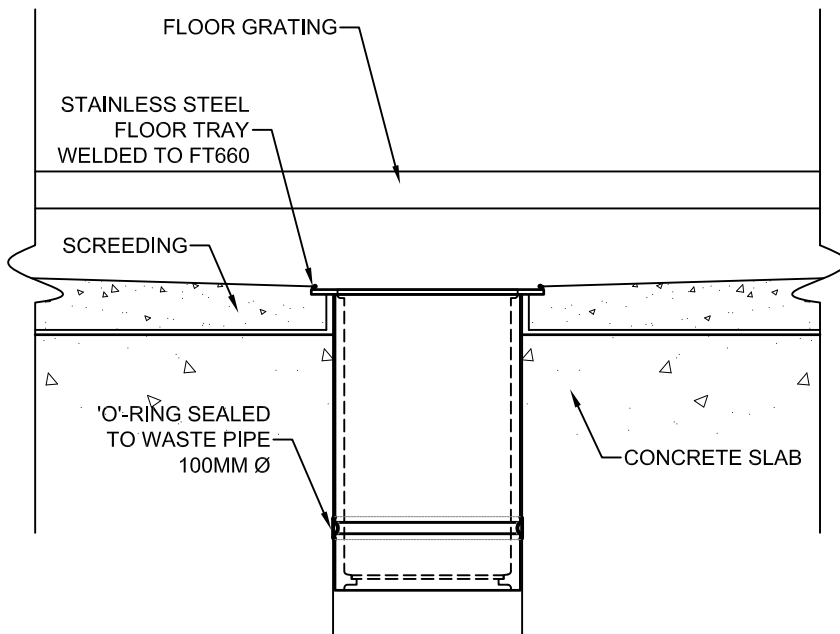


REMOVABLE PERFORATED BASKET 3MM Ø



'O'-RING SEAL WITHIN RECESSED SECTION

PERFORATED BASE SECONDARY FILTER 4MM Ø



TITLE :-

DrainProtector FT660



ecoguardians

90 St Kilda Road

St. Kilda

Victoria 3182

Tel: 1300 556 628

Fax: 03 9534 3988

Email:- info@ecoguardians.com.au

Paper Size:- A4

Scale 1:2