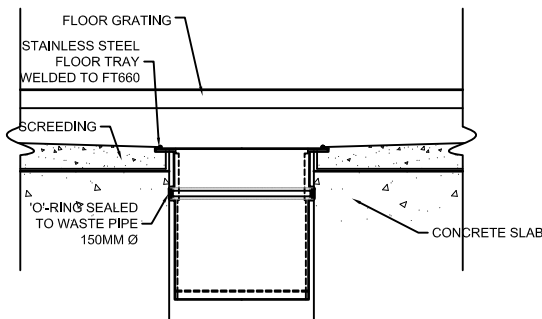
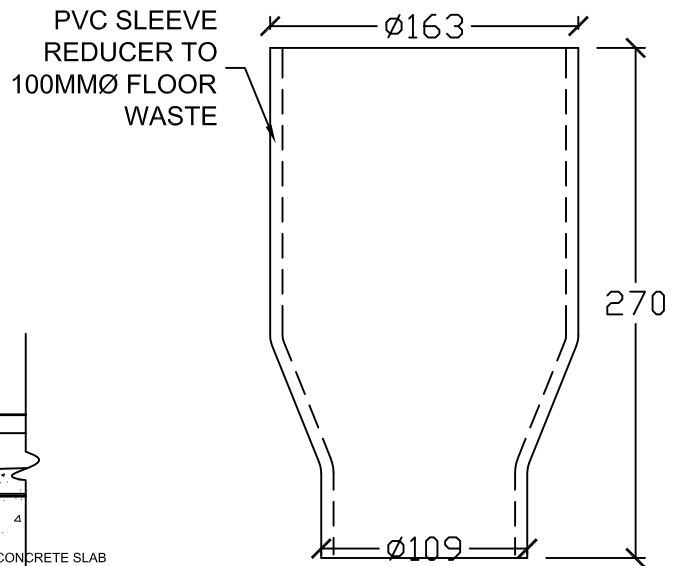
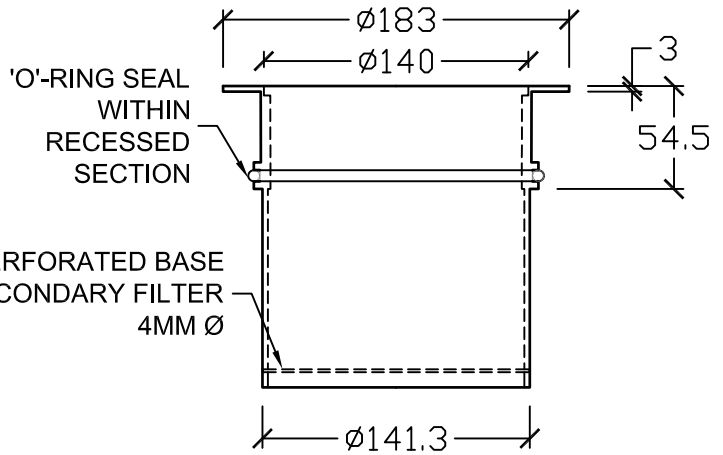
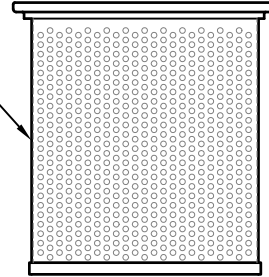




REMOVABLE
PERFORATED
BASKET 3MM Ø



FT1600 IN FLOOR TRAY

TITLE :-

DrainProtector FT1600

Paper Size:- A4

Scale 1:2



90 St Kilda Road
St. Kilda
Victoria 3182
Tel: 1300 556 628
Fax: 03 9534 3988

Email :- info@ecoguardians.com.au