



**THE FOOD
WASTE EXPERTS**



A500 ROCKET COMPOSTER

THE SMALLEST IN OUR RANGE OF IN VESSEL COMPOSTING SYSTEMS THE A500 IS SUITABLE FOR USE AT SCHOOLS, COLLEGES & OFFICE BUILDINGS. THE UNIT CAN BE USED IN CONJUNCTION WITH THE DEHYDRA FOOD WASTE DEWATERING SYSTEM TO INCREASE THE PROCESSING CAPACITY

The A500 Rocket composter the smallest in our range of composting systems, capable of continuously processing up to 300 litres of food waste each week. Thermostatic controls automate the process, ensuring minimum operator interaction with only a standard single-phase 240-volt power supply needed.

Available as stand alone semi portable organic waste solution, the A500 is equipped with 4 channel temperature recording ability. The robust construction ensuring longevity, the Rocket range of food waste treatment systems are suitable for the on-site processing of:

- Cooked / Uncooked Meat & Fish
- Cooked / Uncooked Fruit & Vegetables
- Garden Waste / Green Waste
- Animal Waste (including some types of bedding)

“To date this machine has proved the best recycling investment that this authority has purchased”

*Jack Lindsey,
Warwickshire County Council*



A500 Rocket Pictured for illustration purposes only

A500 ROCKET COMPOSTER

Currently in operation at a wide range of sites throughout the UK and abroad, the A500 Rocket is saving on expensive organic waste disposal costs for many sites & organisations including:

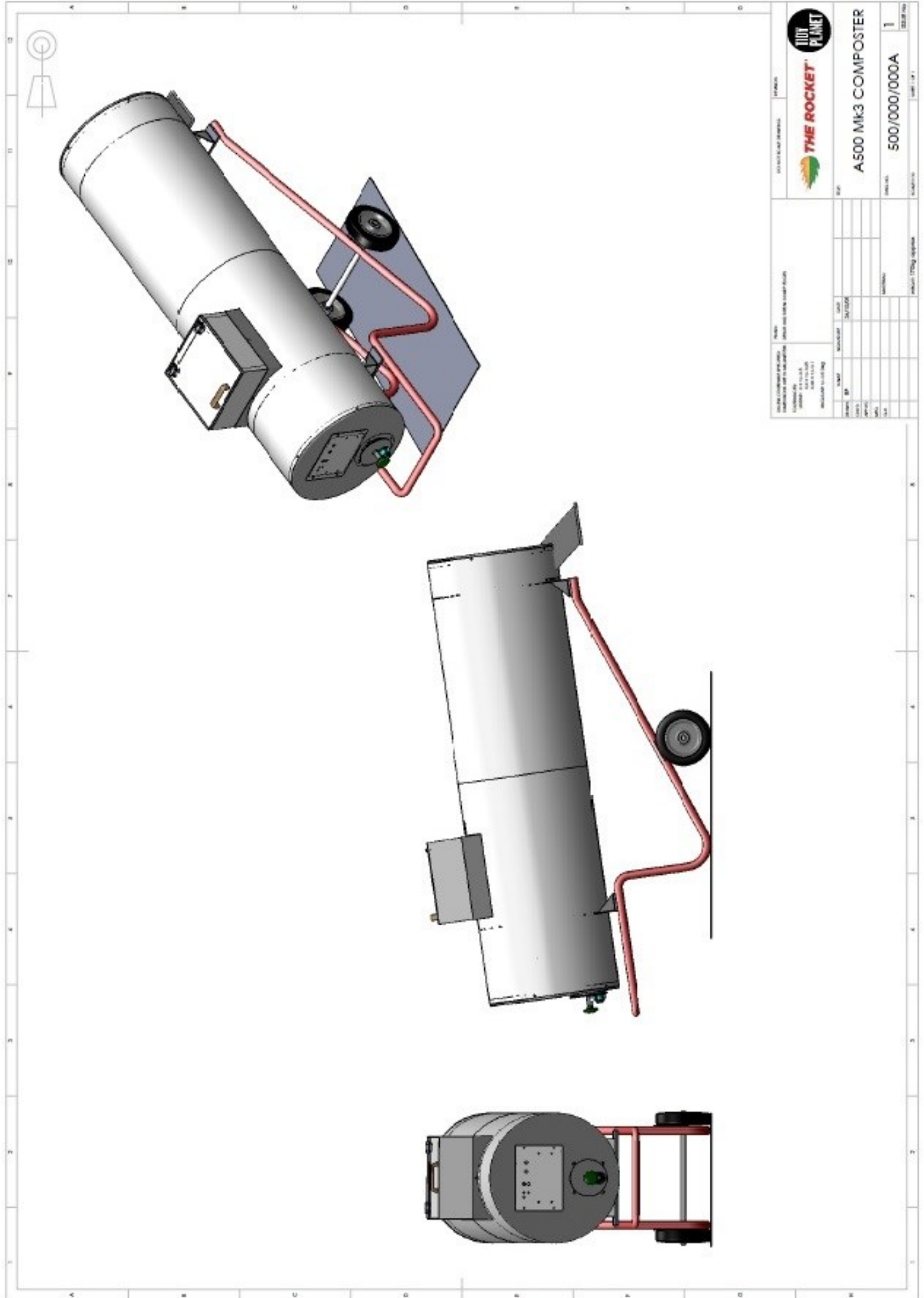
- University of Salford
- British Geological Survey
- Warwickshire County Council (schools)
- Sheffield College

TECHNICAL SPECIFICATIONS

Size:	Length	2.5m
	Width	0.7m
	Height	1.3m
Weight		150kg (empty)
Capacity:		Up to 300 litres of food waste per week / or 900 litres per week when supplied / used in conjunction with the Dehydra food waste dewaterer
Motor:		0.18kw
Heater Element:		0.8kw (thermostatically controlled)
Power Requirement:		1ph 240v 16amp
Power Consumption:		12kwh+ per week (average)
Temperature Recording:		4 K-Type Thermocouple (Data-logger NOT included)
Air extraction:		N/A
Housing Requirements:		Min 3.5m x 2.0m (LxW) covered hard standing with non porous surface
Optional Extras:		Power screen for refining end product Vented woodchip storage bins Temperature Datalogger



A500 ROCKET COMPOSTER DIMENSIONS FOR ILLUSTRATION ONLY



A500 MK3 COMPOSTER		500/000/000A	
PART NO: 500/000/000A DESCRIPTION: A500 MK3 COMPOSTER QUANTITY: 1		UNIT PRICE: £100.00 TOTAL PRICE: £100.00	
ORDER NO: 123456789 ORDER DATE: 12/12/2023 ORDER TIME: 10:30 AM		ORDER REF: 123456789 ORDER DATE: 12/12/2023 ORDER TIME: 10:30 AM	
ORDER NO: 123456789 ORDER DATE: 12/12/2023 ORDER TIME: 10:30 AM		ORDER REF: 123456789 ORDER DATE: 12/12/2023 ORDER TIME: 10:30 AM	