

ROTARY  
COMPACTOR

# VALPAK® BIN



**TECHVAL**  
TECHNIQUES DE VALORISATION

# The VALPAK® BIN easy-to-use and cost-effective...



Insert 1000l bin



Secure bin with hydraulic plateau



Throw in formed waste



Automatic compaction

**Minimum space requirement and minimum noise level :** the VALPAK® BIN is found directly on the waste production site, in picking aisles, at the end of co-packing lines, and at the entrance way of store reserves... **Practical :** Easy to place 1000L bins. **No additional manipulations :** The VALPAK® BIN receives formed cardboard, plastic and crate waste. **Autonomous :** Its photo electric cells automatically start the compaction cycle. The anti-blocking system manages waste with no outside intervention. **Continuous feed :** A flashing light signals end of bale. **Cost-effective :** Reduce up to 8 times the manipulation cost of bins. **Adaptability :** Can be used on its own for selective pick-up of bins by truck, or in addition to a bin tipper to feed either a compactor (cut transport costs in 2), or a horizontal press (increase bale weight by 20%).

**REDUCE MANIPULATION COSTS BY 8**

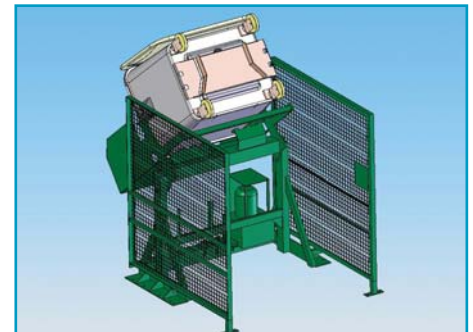


Pre-shredder for flat cardboard

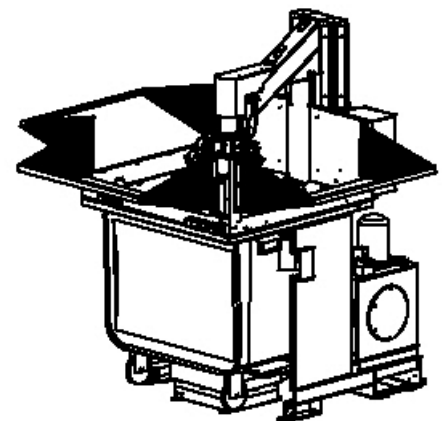
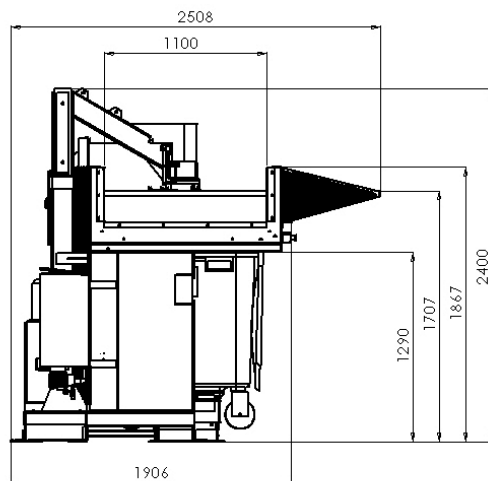
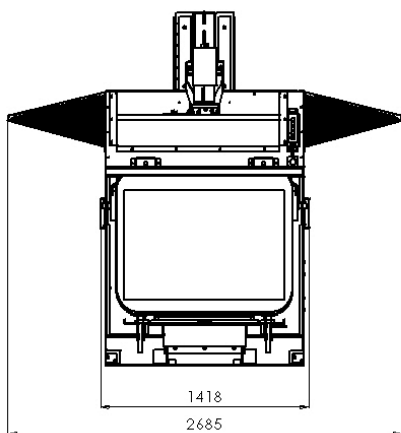
## Options

### BIN WEIGHT

Cardboard	from 250 to 350 kg
Plastic	from 100 to 150 kg
Crate	from 250 to 300 kg



Bin tipper



Electricity : 380 V three phase or 220 V three phase

Power : 4 kW

Protection : 16 A curb D

Weight : 1.2 tons

1 year manufacturer's warranty

Patented material

## TECHVAL

TEL +33 (0)2 35 10 44 10 - FAX +33 (0)2 35 10 44 19

Zone artisanale Toussaint - 76400 FECAMP

S.A.S au capital de 98 880 euros - RCS : B 439 875 642

www.techval.fr